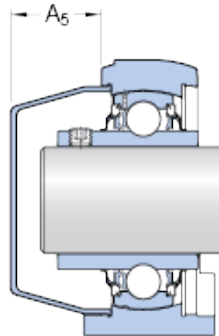
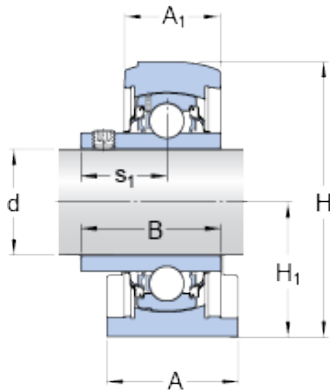




# XSY Bearing Co., Ltd.



## SKF SYFWK 1.3/8 LTHR bearing units

Bearing No. SYFWK 1.3/8 LTHR

Size	34.925x48x32.5 mm
Bore Diameter	34,925 mm
Outer Diameter	48 mm
Width	32,5 mm
d	34.925 mm
A	48 mm
A <sub>1</sub>	32.5 mm
B	42.9 mm
H	95 mm
H <sub>1</sub>	47.6 mm
J	82.6 mm
L	110 mm
s <sub>1</sub>	25.4 mm
Basic dynamic load rating - C	21.6 kN
Basic static load rating - C <sub>0</sub>	15.3 kN
Fatigue load limit - P <sub>u</sub>	0.655 kN
Limiting speed	3200 r/min
Calculation factor - f <sub>0</sub>	14
Weight	0.73 kg
Size thread - G	M10
Thread length - G <sub>1</sub>	12 mm
Hexagonal key size for grub screw - H	3.969 mm
Recommended tightening torque for grub screw	6.5 N · m

SYFWK 1.3/8 LTHR Bearing 2D drawings and 3D CAD models



## XSY Bearing Co., Ltd.

Housing	SYFWK 507 L
Bearing - YAR 207-106-2RFGR/HV	YAR 2071062RFGR/HV
Housing material	Composite for food and beverage
A <sub>1</sub>	32.5 mm
A <sub>5</sub>	28.8 mm
H <sub>1</sub>	47.6 mm
s <sub>1</sub>	25.4 mm
Basic dynamic load rating C	21.6 kN
Basic static load rating C <sub>0</sub>	15.3 kN
Fatigue load limit P <sub>u</sub>	0.655 kN
Mass bearing unit	0.73 kg
Thread size attachment end G	M10
Thread length G <sub>1</sub>	12 mm
Thread grub screw G <sub>2</sub>	5/16-24 UNF
Hexagonal key size for grub screw N	3.969 mm
Bearing	YAR 207-106-2RFGR/HV
End cover	ECL 207