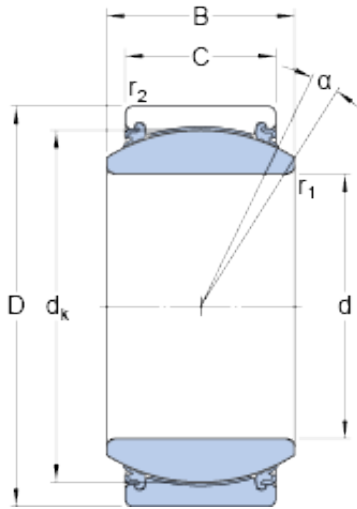




## XSY Bearing Co., Ltd.

### 76.2 mm x 120.65 mm x 66.675 mm SKF GEZ 300 TXE-2LS plain bearings

Bearing No. GEZ 300 TXE-2LS



GEZ 300 TXE-2LS Bearing 2D drawings and 3D CAD models

Size	120.65x76.2x66.675 mm
Bore Diameter	120,65 mm
Outer Diameter	76,2 mm
Width	66,675 mm
d	76.2 mm
D	120.65 mm
B	66.675 mm
C	57.15 mm
	6 °
d <sub>k</sub>	109.525 mm
r <sub>1</sub> - min.	0.6 mm
r <sub>2</sub> - min.	1 mm
d <sub>a</sub> - min.	81.8 mm
d <sub>a</sub> - max.	86.8 mm
D <sub>a</sub> - min.	109.2 mm
D <sub>a</sub> - max.	113.5 mm
r <sub>a</sub> - max.	0.6 mm
r <sub>b</sub> - max.	1 mm
Basic dynamic load rating - C	750 kN
Basic static load rating - C <sub>0</sub>	1500 kN
Specific factor dynamic load - K	150 N/mm <sup>2</sup>
Specific factor static load - K <sub>0</sub>	300 N/mm <sup>2</sup>
Lubricant	Maintenance free – dry



## XSY Bearing Co., Ltd.

	Lubrication
Design (sliding contact surface combination)	Steel/PTFE fabric
Sealing solution	Triple-lip seals
	6 °
$d_k$	109.525 mm
$r_1$ min.	0.6 mm
$r_2$ min.	1 mm
$d_a$ min.	81.8 mm
$d_a$ max.	86.8 mm
$D_a$ min.	109.2 mm
$D_a$ max.	113.5 mm
$r_a$ max.	0.6 mm
$r_b$ max.	1 mm
Basic dynamic load rating C	750 kN
Basic static load rating $C_0$	1500 kN
Specific dynamic load factor K	150 N/mm <sup>2</sup>
Specific static load factor $K_0$	300 N/mm <sup>2</sup>
Mass plain bearing	3.1 kg