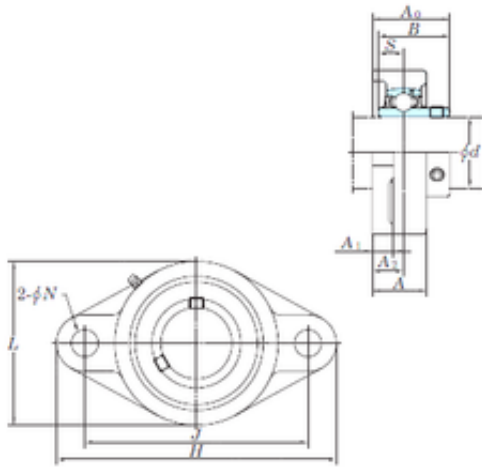




XSY Bearing Co., Ltd.

KOYO UCFL313-40 bearing units

Bearing No. UCFL313-40



UCFL313-40 Bearing 2D drawings and 3D CAD models

| | |
|-------------------------------|---------|
| Bore Diameter | 63,5 mm |
| d | 63,5 mm |
| A0 | 78 mm |
| A | 58 mm |
| A1 | 25 mm |
| B | 75 mm |
| H | 295 mm |
| J | 240 mm |
| L | 175 mm |
| N | 31 mm |
| S | 30 mm |
| A2 | 33 mm |
| Weight | 8,5 Kg |
| Basic static load rating (C0) | 92,7 kN |